



More information on the website
radwag.com/en/info,w1,UVT

WLC 2/A2/C/2 Precision Balance



The drawings, photos and graphics used are for illustrative purposes only.

Functions



Plus/Minus Control



Percent Weighing



Totalizing



Parts counting



Internal battery



Peak hold



Newton unit measurement

Datasheet

Metrological parameters

Maximum capacity [Max]	2 kg
Readability [d]	0.01 g
Verification unit [e]	-
Tare range	-2 kg
Repeatability	0.015 g
Linearity	±0.03 g
Stabilization time	3 s
Adjustment	internal (automatic)

Physical parameters	
Leveling system	manual
Display	LCD (backlit)
Weighing pan dimensions	195×195 mm
Packaging dimensions	430×270×190 mm
Net weight	3.29 kg
Gross weight	4.5 kg
Protection class	IP 43
Relative humidity	10% ÷ 85% RH no condensation
Communication interface	
Communication interface	2×RS232, USB-A, USB-B
Electrical parameters	
Power supply	Adapter: 100 – 240V AC 50/60Hz 0.6A; 12V DC 1.2A Balance: 10 – 15VDC 0.6A max
Operation time on batteries	15 h (average time)
Environmental conditions	
Operating temperature	+15 ÷ +30 °C

Repeatability is expressed as a standard deviation from 10 weighing cycles.

Stabilization time depends on the ambient conditions and the dynamics of weighing pan loading; specified for FAST profile.



Accessories

Balance Storage Case

- Transport Case for PS, WLC (A1 and A2) Balances [WX-002-0049]

Antivibration Tables

- SAL/STONE/H Stainless Steel Antivibration Table [WX-001-0079]
- SAL/STONE/C Antivibration Table [WX-001-0078]

Power Adapters

- ZR-04/1 Powerbank [WX-015-0329]
- ZR-03/1 Powerbank [WX-015-0319]

RS 232 cables (scale - printer)

- PT0287 Cable [WX-013-0226]

Cigarette lighter receptacle power supply cables

- K0047 Car lighter 12V cable [WX-013-0034]

Under-pan weighing

- Under-Pan Weighing Hook (PM, WLC, WLY) [WX-015-0324]
- Under-pan Weighing Rack for AS and PS Balances [WX-002-0111]

Density determination KIT

- KIT 195 Density Determination Kit [WX-002-0021]

RS 232 – Ethernet Converter

- KR-04-1 Converter [WX-004-0080]

Displays

- WD-4/4 Additional Display [WX-002-0017]

Receipt Printer

- RTP-UEW80 Radwag Thermal Receipt Printer (USB + Ethernet + WiFi) [WX-007-0118]
- RTP-RU80 Radwag Thermal Receipt Printer (RS232 + USB) [WX-007-0119]

AP2-1 Current Loop Unit

- AP2-1 Current Loop Unit (Plastic Housing) [WX-016-0011]

RS 232, RS 485 cables

- P0108 Cable [WX-013-0003]
- PT0443 Cable [WX-013-0229]
- P0108.5 Cable [WX-013-0161]

Protective cover for balances

- A2 Protective Cover for PS and WLC Balances with 195x195 mm Weighing Pan [WX-002-0033]
- Fabric Dust Cover for PS,WLC Balances [WX-002-0108]

RS 232 cables (scale - printer)

- P0151 Cable [WX-013-0002]

RS 232 – RS 485 Converter

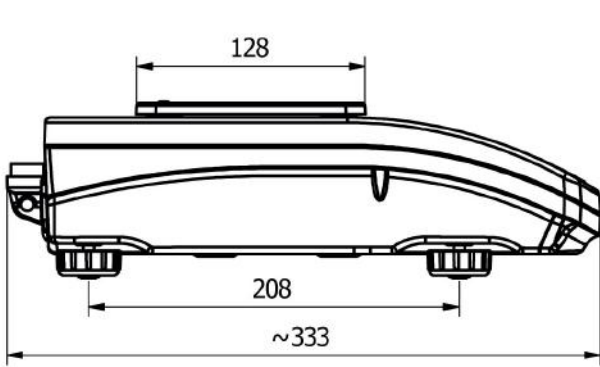
- KR-01 Converter [WX-004-0021]

Software

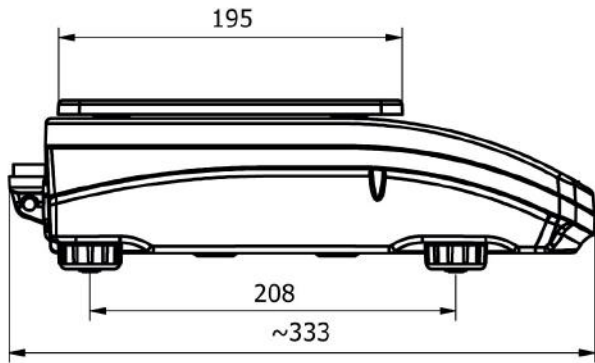
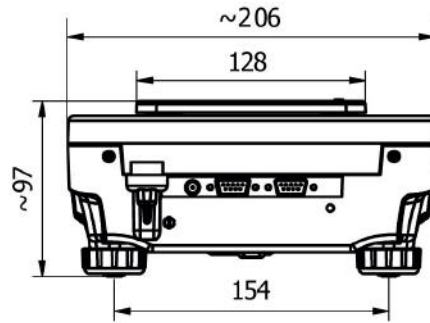
- RAD Key [WX-010-0005]

- LabVIEW “Radwag Balances & Scale” Driver [WX-010-0105]

Device dimensions



WLC A1



WLC A2

